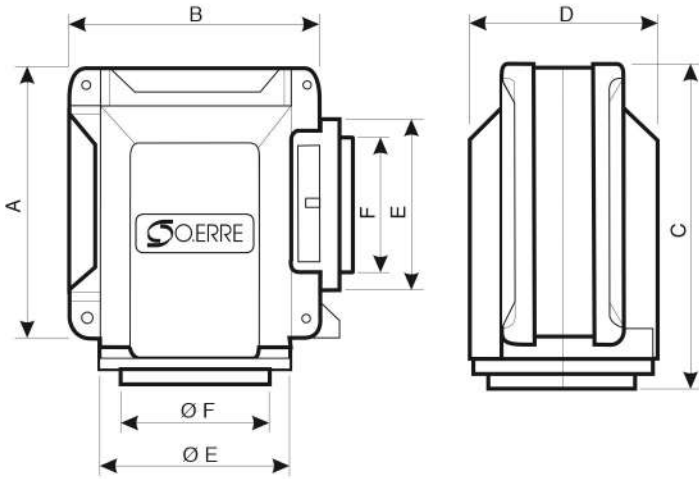


# SO.ERRE



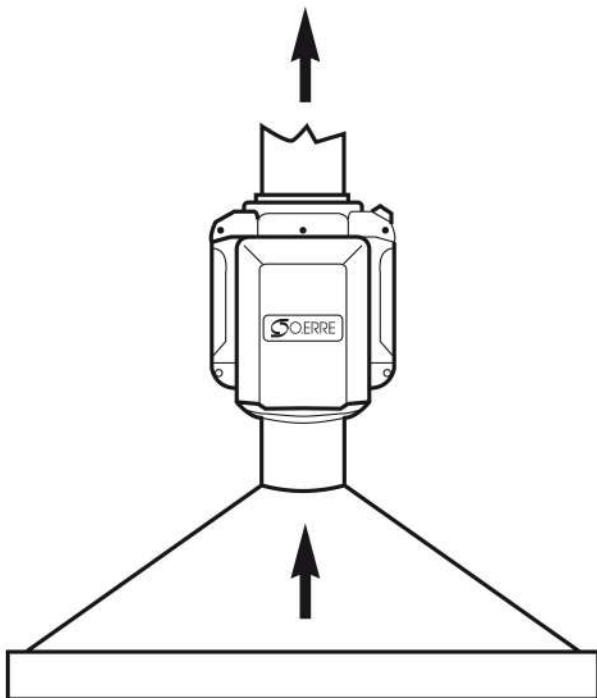
	A	B	C	D	E	F
$\alpha$	205	205	263	148	Ø 126	Ø102
$\beta$	205	205	242	148	Ø 126	Ø102



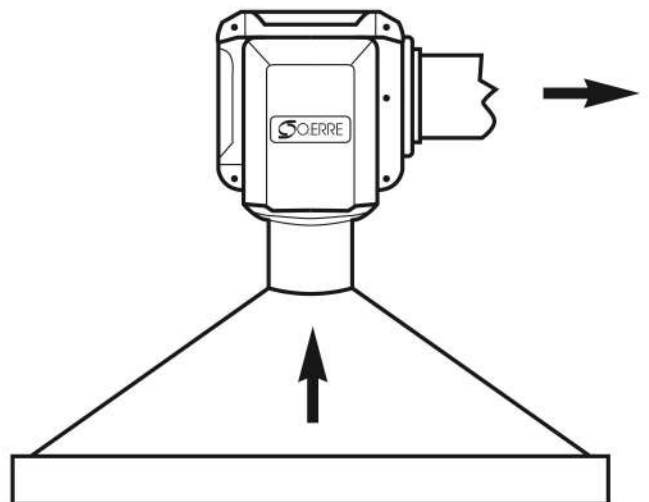
## ASPIRODOR 165

Cod. P06080000

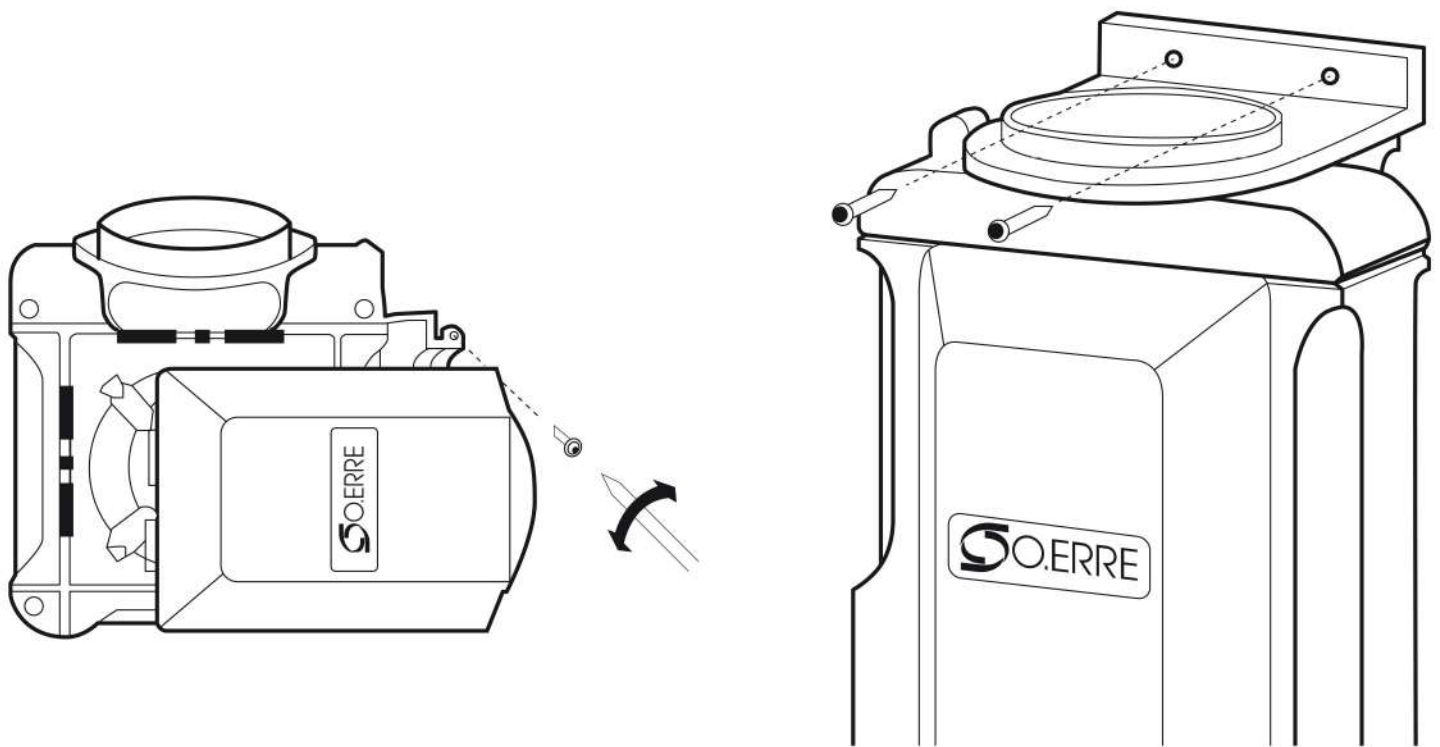
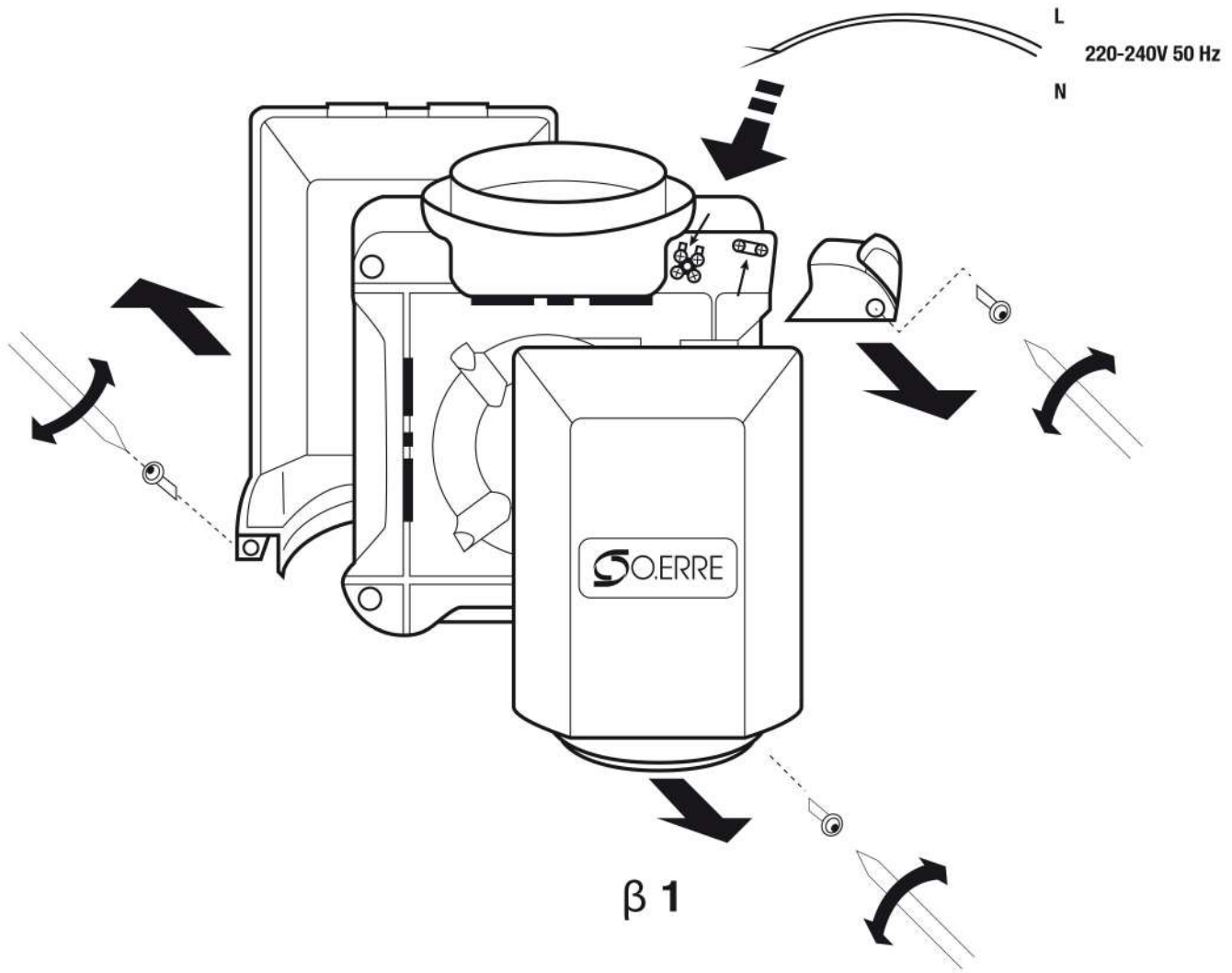
EP S.p.A.  
Via Del Commercio 1, 25039 - Travagliato (BS) Italy  
tel. +39 030 68 62 341 - fax +39 030 68 62 051  
www.oerre.it - vendite@oerre.it



$\alpha$



$\beta$



$\beta 2$

$\alpha-\beta$